

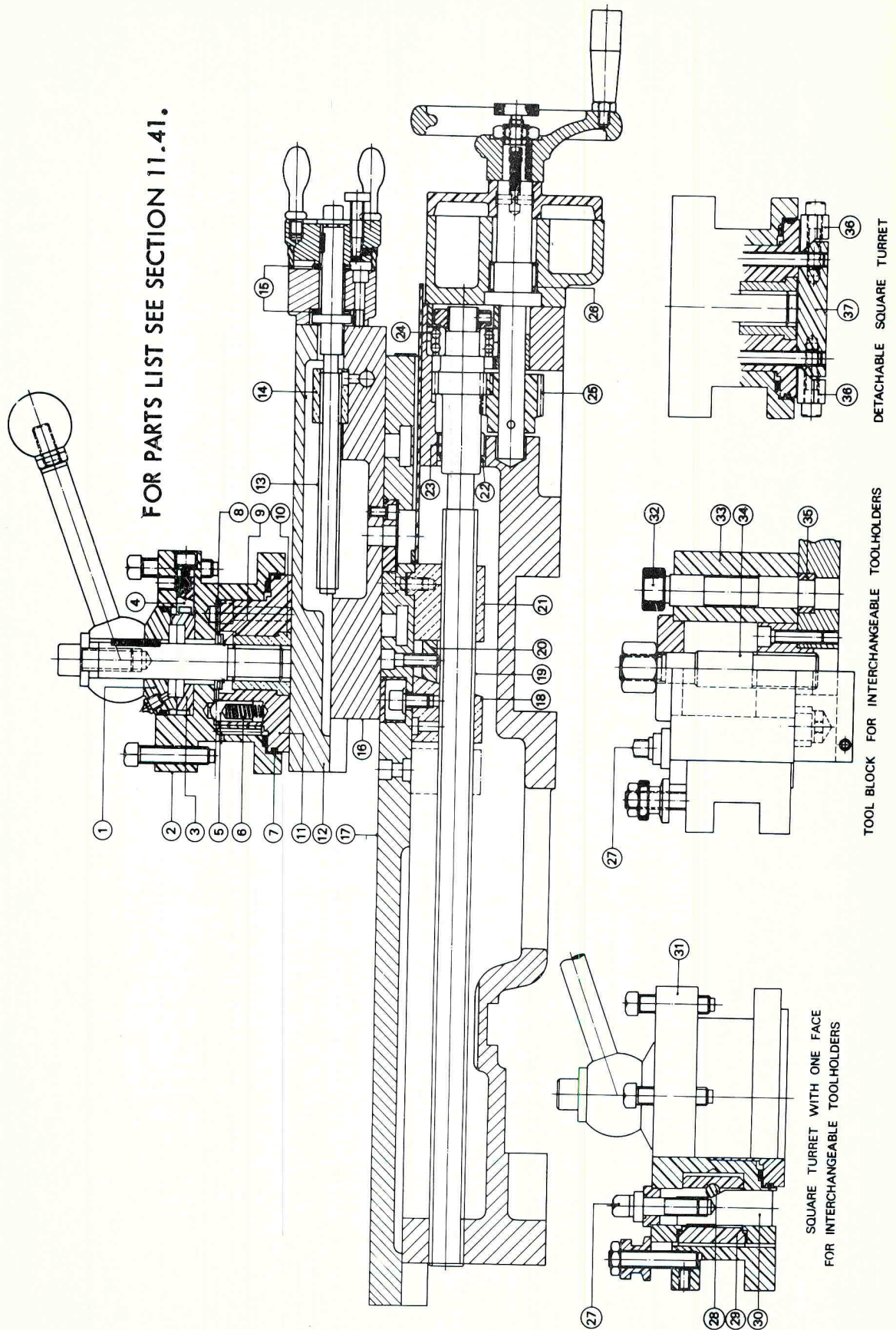
11.32 SPARE PARTS LIST FOR GEARBOX continued

- | | | |
|-----|---|--|
| 1. | Oilseal 225 150 37. | |
| 2. | R & M L.J.30 or Hoff. 130. | |
| 3. | 28/29, 54/55, 41/43 Treble gear on 1st shaft. | |
| 4. | R & M L.J.25 or Hoff. 125. | |
| 5. | Coupling boss. | |
| 6. | Coupling sleeve. | |
| 7. | 41/41½ Selector gear for screw, | |
| 8. | R & M LP.30 BL Prec. limits, paired & pre-loaded back to back. | |
| 9. | Leadscrew socket. | |
| 10. | 1st Shaft. | |
| 11. | 56T Gear on 2nd shaft intermediate. | |
| 12. | 2nd Shaft intermediate. | |
| 13. | R & M L.J.20 or Hoff. 120. | |
| 14. | 41/40 Gear on 2nd shaft intermediate. | |
| 15. | 42/44 Gear on 2nd shaft. | |
| 16. | R & M XXLJ.35. | |
| 17. | 2nd Shaft. | |
| 18. | 40T Sliding gear on 2nd shaft. | |
| 19. | 41/41½ Gear on 2nd shaft. | |
| 20. | 50T Gear on 3rd shaft intermediate. | |
| 21. | 3rd Shaft intermediate. | |
| 22. | 25/26, 35/36 Sliding gear on 3rd shaft intermediate. | |
| 23. | 52T Gear on 3rd shaft. | |
| 24. | 50T " " " " | |
| 25. | 49T " " " " | |
| 26. | 48T " " " " | |
| 27. | 46T " " " " | |
| 28. | 45T " " " " | |
| 29. | 44T " " " " | |
| 30. | 42T " " " " | |
| 31. | 40T " " " " | |
| 32. | 3rd Shaft. | |
| 33. | 4th Shaft. | |
| 34. | 27/28. 9DP Gear on 4th Shaft intermediate. | |
| 35. | 60T Gear on 4th shaft intermediate. | |
-
- | | | |
|-----|--|--|
| 36. | 27T, 10DP Gear on 4th shaft intermediate. | |
| 37. | 32T & 36T Double gear on 4th shaft. | |
| 38. | 38T Gear on 4th shaft. | |
| 39. | 40T & 44T double gear on 4th shaft. | |
| 40. | 46T & 48T double gear on 4th shaft. | |
| 41. | 52T & 56T double gear on 4th shaft. | |
| 42. | 4th Shaft. | |
| 43. | Pump spring. | |
| 44. | Plunger for pump. | |
| 45. | Cam for pump. | |
| 46. | 30T Gear on 5th shaft. | |
| 47. | 5th Shaft. | |
| 48. | 65T Ext & 35T Int. gear on 5th shaft. | |
| 49. | 35T Double gear on 5th shaft. | |
| 50. | 41/41½ Gear on 5th shaft. | |
| 51. | Oilseal 162 087 37. | |
| 52. | 50/50½ Gear on intermediate stud. | |
| 53. | Intermediate shaft. | |
| 54. | Gearshifter for treble gear on 1st shaft. | |
| 55. | Screw selector shifter rod in gearbox lid. | |
| 56. | Springs in selector knobs. | |
| 57. | Screw selector pinion in gearbox lid. | |
| 58. | Springs in front operating bushes. | |
| 59. | Die for double gear on 3rd shaft intermediate. | |
| 60. | Screw selector shifter. | |
| 61. | Reynold chain ½" pitch 41 links. closed both ends No. 111044. | |
| 62. | Gearshifter for 40T gear on 2nd shaft. | |
| 63. | ½" pitch feed selector sprocket. | |
| 64. | Gearshifter for 35T double gear on 5th shaft. | |
| 65. | Gearshifter pinion. | |
| 66. | Change gear sleeve. | |
| 67. | Change gear stud. | |

PLEASE STATE MACHINE SERIAL NUMBER, SHEET NUMBER AND ITEM NUMBER

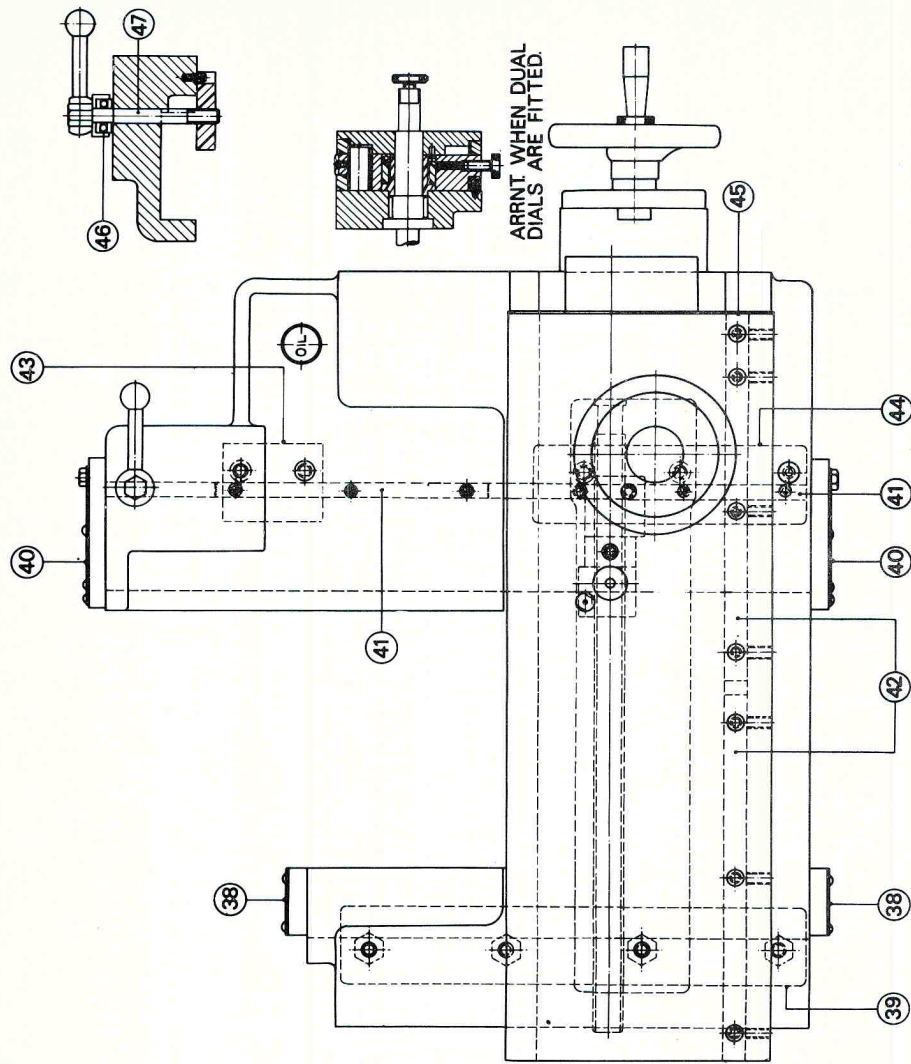
ALL FIXING SCREWS ARE STD. WHITWORTH
OR B. S. F. THREAD.

11.4 SPARE PARTS LIST FOR SADDLE



PLEASE STATE MACHINE SERIAL NUMBER, SHEET NUMBER AND ITEM NUMBER.

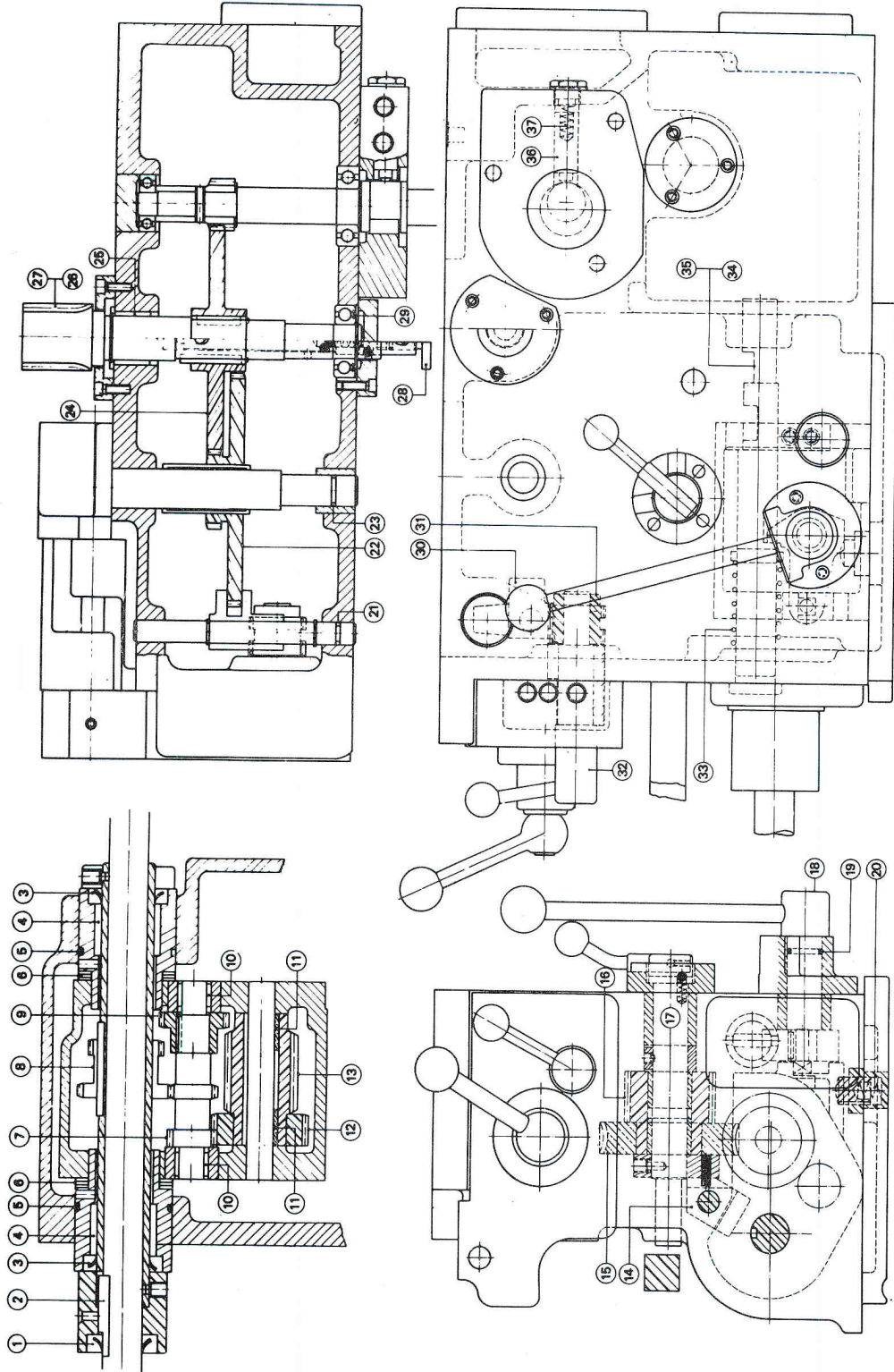
ALL FIXING SCREWS ARE STD. WHITWORTH OR B. S. F. THREAD.



1. Torsion Spring.
2. Square turret.
3. Ratchet dog plate.
4. Ratchet plunger.
5. Locating plunger.
6. Spring No. 124.
7. Dowty 'O' ring. P. P. 52. B. 26.
8. Spring No. 162.
9. Torrington Brg. N. T. A. 2031, Races TRB. 2031.
10. Nut for lock screw.
11. Turret spindle.
12. Turret slide.
13. Turret slide screw.
14. Turret slide screw nut.
15. Torrington bearings N. T. A. 1018, Races TRA. 1018.
16. Swivel slide.
17. Cross slide.
18. Cross slide screw adjusting nut.
19. Cross slide screw.
20. Cross slide screw nut adjusting slip.
21. Cross slide screw nut.
22. INA oilseal G. 28, 35, 4.
23. Torrington bearing F. 2816.
24. R & M bearing LDJT. 25.
25. Saddle intermediate gear.
26. Torrington bearing F. 2820.
27. Screw for lock pad.
28. Pin for locking pad.
29. Clamping plate.
30. Locking pad.
31. Turret type interchangeable toolholder block.
32. Locating plunger.
33. Toolholder block.
34. Locking screw.
35. Locating bush.
36. Clamping pieces.
37. Locating tongue.
38. Rear bed wiper.
39. Rear gib plate.
40. Front bed wipers.
41. Slip for bed shear.
42. Slip for cross slide.
43. R. H. front gib plate.
44. L. H. front gib plate.
45. Cross slide wiper.
46. Bearing Hoff W. $\frac{1}{2}$ or R & M L. T. $\frac{1}{2}$.
47. Locking bolt.

11.5 SPARE PARTS LIST FOR APRON

PLEASE STATE MACHINE SERIAL NUMBER, SHEET NUMBER AND ITEM NUMBER.



ALL FIXING SCREWS ARE STD. WHITWORTH OR B. S. F. THREAD.